

# RB/RY 491-700: Bottom Freezer



**Electronic temperature control with digital temperature display,**  
**Dynamic cool air distribution with Multi-Flow Air System**

**Activated charcoal filter**

**Energy-saving vacation mode**

**Two continuous safety glass shelves with aluminum profiles,**  
**one of which is motorized**

**Bright interior lighting with two ceiling spotlights and two**  
**halogen light pillars on the side**

**Integrated automatic ice maker in the freezer compartment, with ice bin**

## Bottom Freezer

With integrated ice maker

Width: 36" (90 cm)

RB 491-700

Two-door bottom freezer

RY 491-700

Three-door bottom freezer

Planning notes: Flat hinge. Door hinge right, reversible (for RB491).

## Installation

### Appliance dimensions (H X W x D) in inches (mm)

79 7/8" (2029) x 35 3/4" (908) x 23 15/16" (608)

### Cut-out dimensions (H X W x D) in inches (mm)

84" (2134) x 36" (914) x 24" (610)

### Total rating

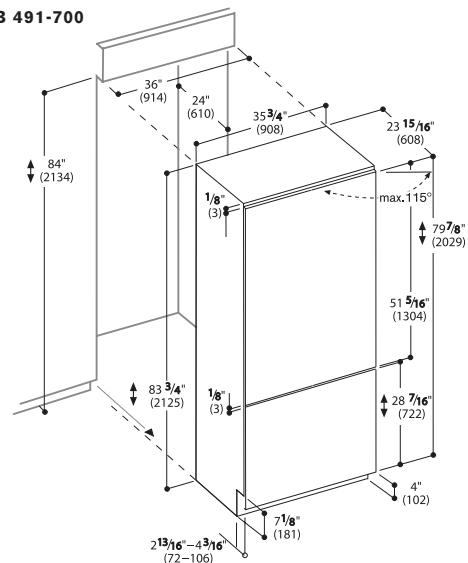
0.57 kW (120 V / 60 Hz)

### Total Amps

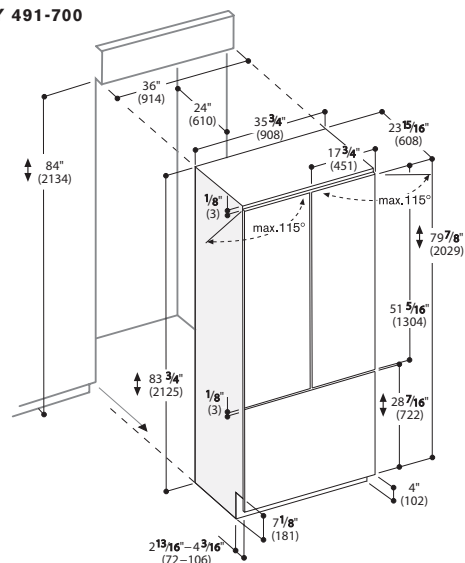
15 Amps

Numbers indicated inside parenthesis ( ) = mm

RB 491-700



RY 491-700



©2008 BSH Home Appliances Corporation. All rights reserved.

Warranty: "BSH reserves the absolute and unrestricted right to change product materials and specifications, at any time, without notice. Consult the product's installation instructions for final dimensional data and other details. Applicable product warranty can be found in accompanying product literature (or you may contact your account manager for further details)."

**GAGGENAU**

Phone: 877.4GAGGENAU Fax: 714.901.5360 www.gaggenau-usa.com info@gaggenau-usa.com